

K P



Building & Construction



www.kamkiu.com

总公司 HQ:

Kam Kiu Aluminium Products Group Ltd.

: 1 1817
Add: Rm17, 18/F, Concordia Plaza, 1 Science Museum Road,
Tsimshatsui East, Kowloon, Hong Kong
(Tel):
(Fax):
Email: info@kamkiu.com

生产基地 Production Facility:

Taishan City Kam Kiu Aluminium Extrusion Co., Ltd.

:
Add: Dajiang Town, Taishan City, Guangdong, China
Post: 529261
Tel:
Fax:



Company Profile



Kam Kiu Aluminium Group (KAP), established in 1983, is an aluminium extrusion company on series 1-7 alloy, which employs over 2,300 people, possesses 30 direct extrusion presses, 4 indirect extrusion presses from 550UST to 6,180UST and 2 AirSlip casting systems. We have the compressive operation system including die design and manufacturing, billet casting, extrusion, surface treatment and precision machining. Our aluminium product covers high end electronics products, automotive, transportation, vessel, industrial applications, building and construction etc.

Kam Kiu Aluminium Group is certified with ISO9001, IATF16949, automotive standard; DNV, Norway marine standard; BV, France ship standard; CCS, China ship standard; ISO14001, environmental standard; OHSAS18001 occupational health and safety standard etc.

W_ 椰揆唇 /唇匆膜笕鐘%鐸蒞笕唱

We 閱脩 碩<率綫岫 羊搶苜 肝戲鈺簪t《鑼眞 才嬭嬭t謝臥A鯉
sur沿

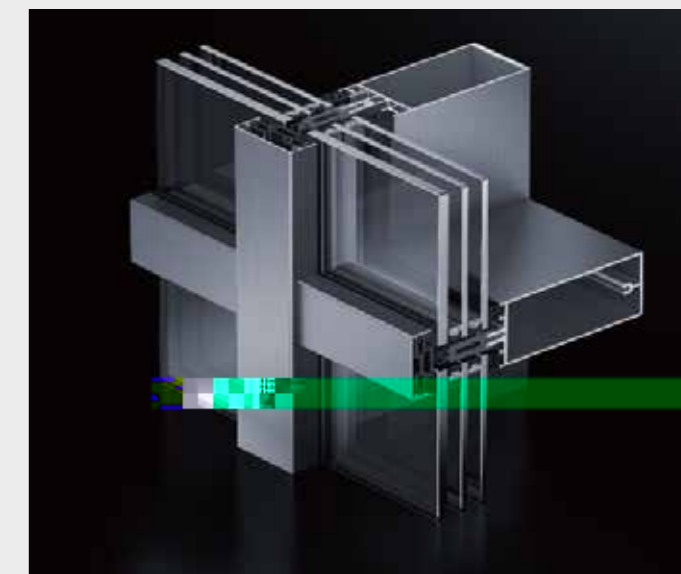
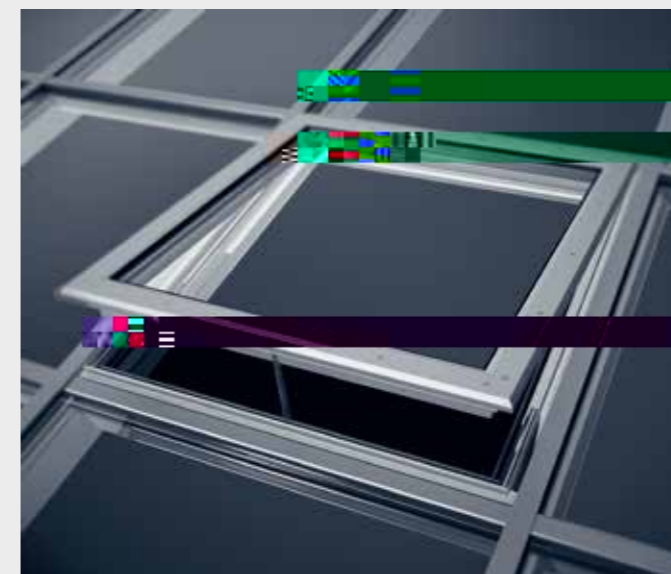
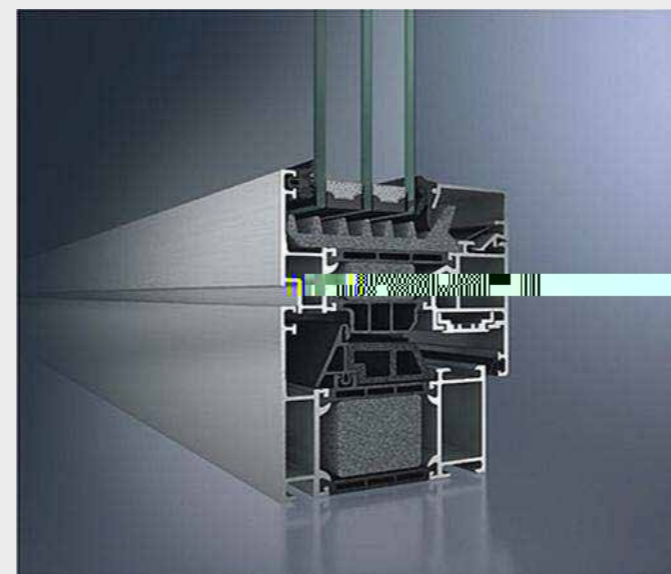
n# 滂n漆啞na汕鷺 鴉乘蚌录C康濠 瘍炎

Process

Certification

Product introduction

Taishan Kam Kiu Aluminium Factory Co., Ltd serves worldwide demands of high quality aluminium products and precising machining services on doors and windows.





cooperative partner

